

Power supply for the „Touch-smart“ operating panel

Art.no. 330.001.2000

Function

The power supply supplies power to the external smart-touch panel and connects it via the bus ofsf with other devices.

Technical data

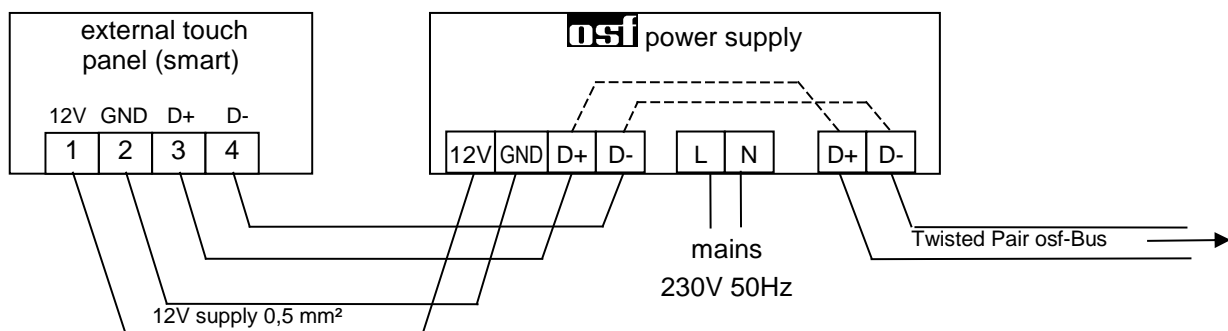
Dimensions:	165mm x 100mm x 66mm
Operating voltage:	230V/50Hz
Constant output voltage:	12V (SELV)
Output power:	9W
Protection class:	IP 40
Ambient temperature:	0-40°C
Air humidity:	0-95% non-condensing

Electrical connection and installation

The power supply must be mounted such that it is protected from moisture in accordance with its degree of protection. The ambient temperature must lie between 0° C and + 40° C and should vary as little as possible. The relative humidity at the installation position must not exceed 95% and there must not be any condensation. Avoid exposing the unit to direct heat or sunlight.

The mains power supply for the unit must be provided via an all-pole disconnection switch with a minimum contact gap of 3mm and via a residual-current circuit breaker with a fault current I_{FN} of $\leq 30\text{mA}$. **Always disconnect the unit from the mains supply before opening the case. All electrical wiring and calibration and servicing work must be performed solely by an approved electrician. The attached wiring diagrams and all applicable safety regulations must be observed.**

The power supply unit must be placed so that the cable length does not exceed 50 m.



We wish you a lot of fun and relaxation in your swimming pool

osf Hansjürgen Meier
Elektrotechnik und Elektronik GmbH & Co KG
Eichendorffstraße 6
D-32339 Espelkamp
E-Mail: info@osf.de
Internet: www.osf.de

Subject to changes **osf** January 2021